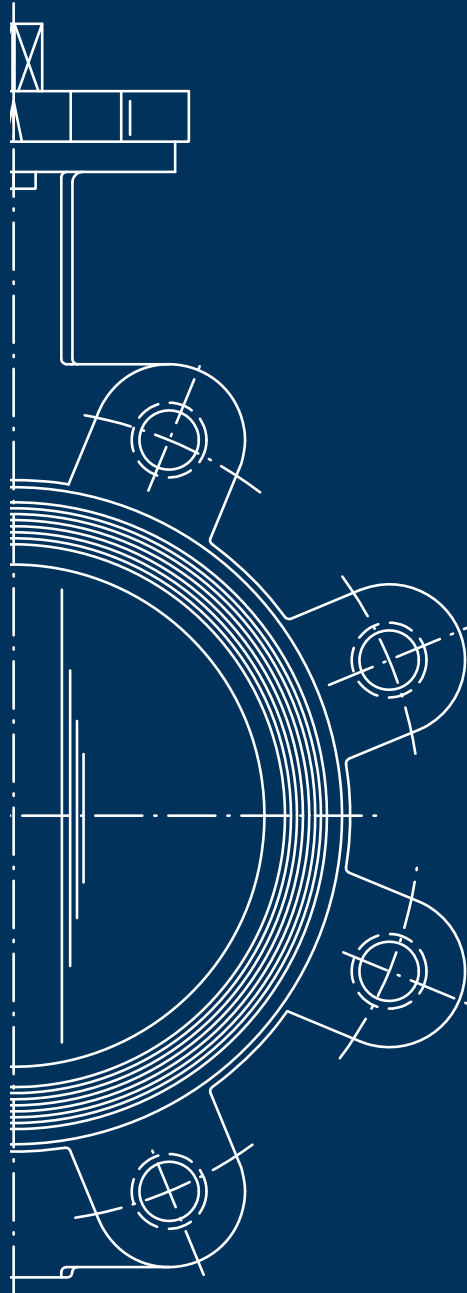




**FLUIDOINDUSTRIALE**  
ENGINEERING & INDUSTRIAL SUPPLIES



**BVALVE®**

**BVALVE®**

Soft-seated  
Butterfly valve  
Lug Type

## Soft Seated Butterfly Valve - Lug type



**BV12008L**  
(DN40-200)  
Hand lever operated

**BV12008L**  
(DN250 – DN600)  
Cast iron gear operated

**BV12008L**  
(DN700 – DN1200)  
Cast iron gear operated

Lug type butterfly valve for installation between flanges EN 1092, PN 10/16. One-piece body, selfcentring, two-piece disc and stem connection, bubble-tight up to 10bar, vacuum-tight. The pipeline can be removed from the flange on one side.

**Face-to-face dimension**

DIN EN 558 line 20 API 609 table 1

Mounting flange DIN EN ISO 5211

Test DIN EN 12266 P10 P11 P12 leakage rate A

Certifications CE-Marking, TA Luft, FDA approval, food certification 1935/2004, ATEX

**Industries and applications**

Sewage plants

Wastewater treatment plants

Shipbuilding

Pulp and paper industry

Coal mining, Brown coal strip mining

Chemical plants

Pumping stations, Storage basin

Coal-fired power plants

Sugar industry

Food industry

Bitumen manufacturing and subsequent processing



ATEX 2019/34/UE



PED 2019/68/UE



TA-LUFT  
VDI 2440



acc. API 607 5th

## Shut-off and control butterfly valves - Lug type

### O-ring stem seal

Seals the stem in both directions. Coupling from outside

### Blow-out proof two-piece, stem

This system ensures a stable mount for the valve disc

### Valve disc with full high finish

**Body** single-piece with locating holes or threaded cam as lug type version

**Seat seal** with the special profile of the valve disc sealing surface, absolute seat seal is achieved to 12 bar

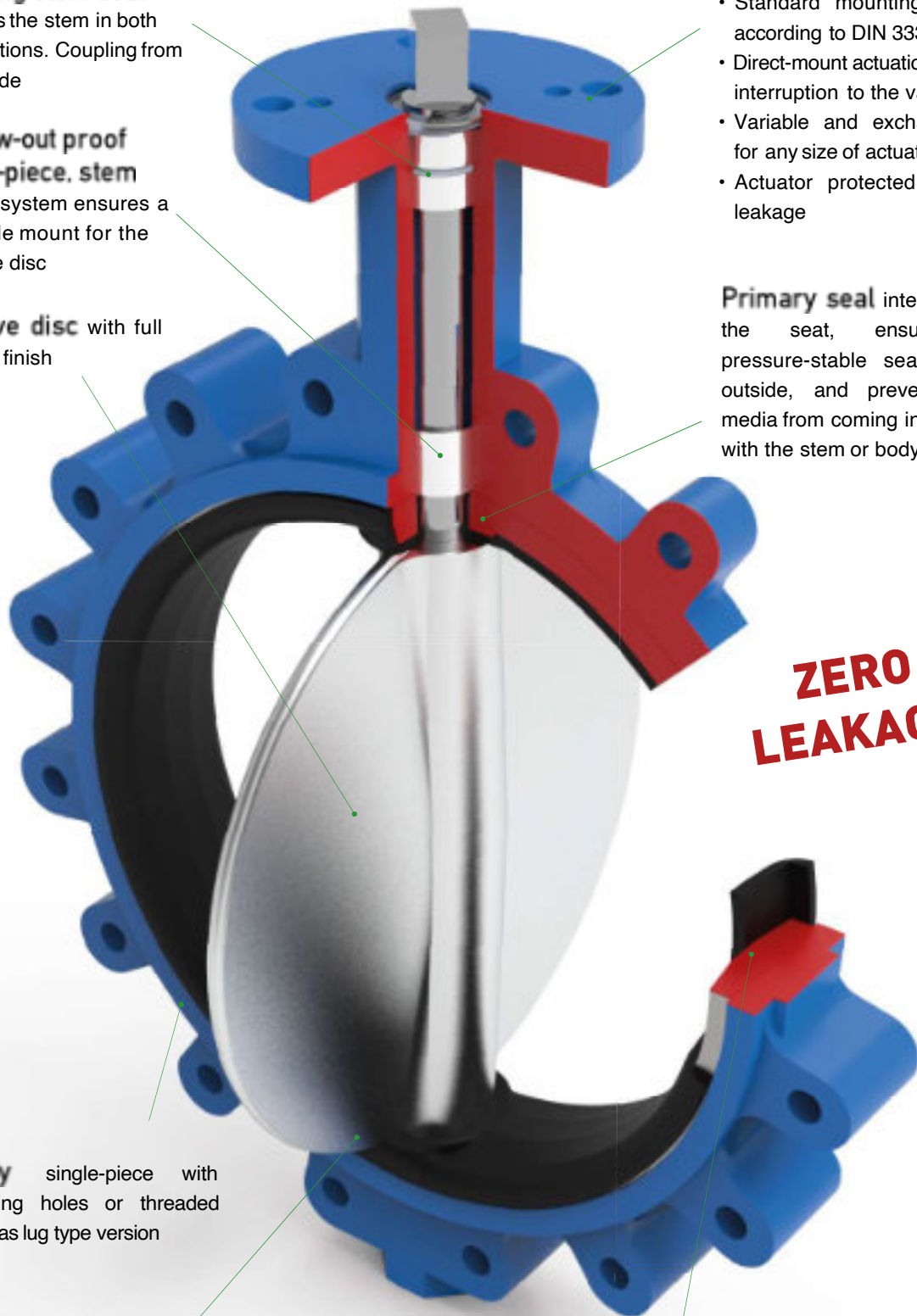
### Automation

- Standard mounting flange according to DIN 3337
- Direct-mount actuation without interruption to the valve stem
- Variable and exchangeable for any size of actuator
- Actuator protected against leakage

**Primary seal** integrated in the seat, ensures a pressure-stable seal to the outside, and prevents line media from coming in contact with the stem or body

**ZERO LEAKAGE!**

**Seat ring exchangeable** multifunctional sealing element, maintenance-free, long life-span, reliable seal in seat, to the flanges and on the stem coupling, secure latching in the dove tail, embedded with no protruding edges to flange surfaces in the housing

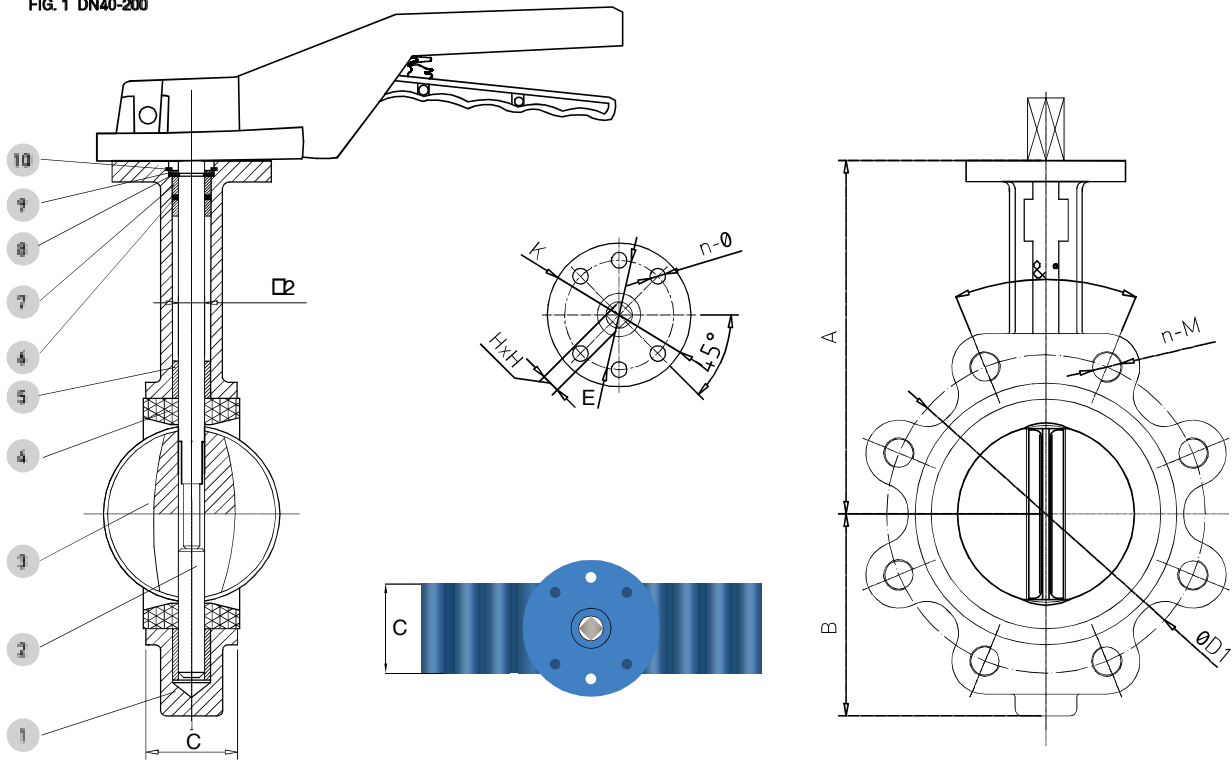


# BV12008L Lug

| PN10/PN16/#150



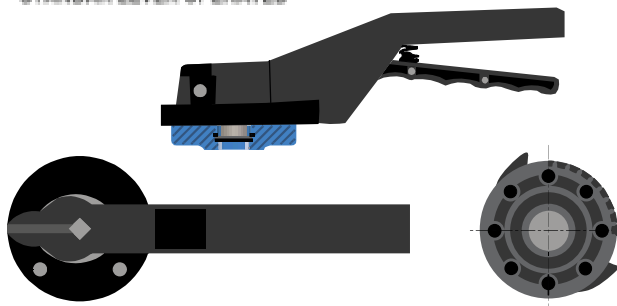
FIG. 1 DN40-200



**MAIN SPARE PARTS MATERIAL**

N°	COMPONENT	FIG. 1 DN40-200
1	Body	EN1563 EN-GJS-400-15
2	Shaft	SS410
3	Disc	CF8M
4	Liner (seat)	WRAS EPDM
5	Long bushing	FRP
6	O-ring	NBR / EPDM / VITON
7	Short bushing	FRP
8	Half ring	Stainless Steel
9	Gasket	Stainless Steel
10	Snap Spring	SK7

**STANDAR LEVER OPERATED**



**OPERATION OPTIONS**

Gearbox operated, Double acting actuator, Spring return actuator

**VALVE DIMENSIONS**

Valves dimensions													PN10	PN16	ANSI150			
DN	In	A	B	C	□2	ISO 5211	K	E	n-□	&	H	W	□D1	n-M	□D1	n-M	□D1	n-M
													40	1 ½"	120	65	33	12.6
50	2"	140	80	43	12.6	F07	90	70	4-10	90	11	30	125	4-M16	125	4-M16	125	4-M16
65	2 ½"	150	84	46	12.6	F07	90	70	4-10	90	11	30	145	4-M16	145	4-M16	145	4-M16
80	3"	158	95	46	12.6	F07	90	70	4-10	45	11	30	160	4-M16	160	8-M16	160	8-M16
100	4"	176	114	52	15.77	F07	90	70	4-10	45	11	30	180	8-M16	180	8-M16	180	8-M16
125	5"	190	127	56	18.92	F07	90	70	4-10	45	14	34	210	8-M16	210	8-M16	210	8-M16
150	6"	211	139	56	18.92	F07	90	70	4-10	45	14	34	240	8-M20	240	8-M20	240	8-M20
200	8"	235	175	60	22.10	F10	125	102	4-12	45	17	44	295	8-M20	295	8-M20	295	8-M20

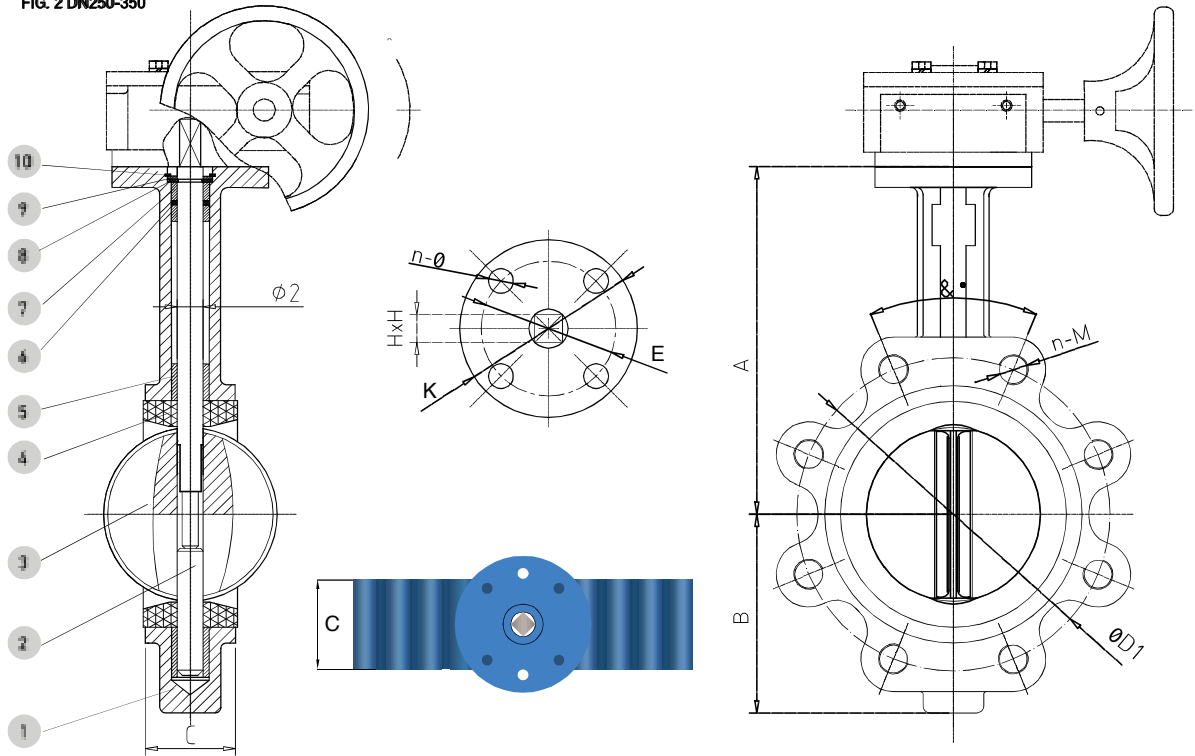
all dimensions in mm.

# BV12008L Lug

PN10/PN16/#150



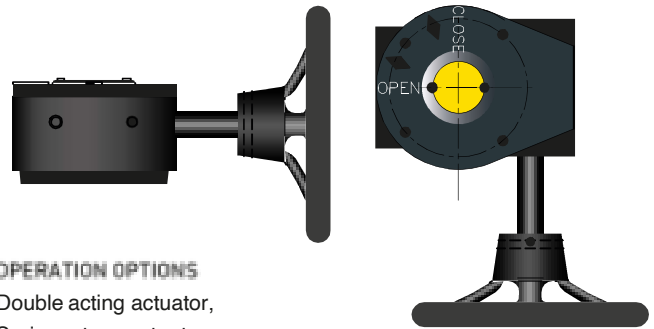
FIG. 2 DN250-350



**MAIN SPARE PARTS MATERIAL**

N°	COMPONENT	FIG. 2 DN250-350
1	Body	EN1563 EN-GJS-400-15
2	Shaft	SS410
3	Disc	CF8M
4	Liner (seat)	WRAS EPDM
5	Long bushing	FRP
6	O-ring	NBR / EPDM / VITON
7	Short bushing	FRP
8	Half ring	Stainless Steel
9	Gasket	Stainless Steel
10	Snap Spring	SK7

**STANDAR GEAR OPERATED**



**OPERATION OPTIONS**  
 Double acting actuator,  
 Spring return actuator

**VALVE DIMENSIONS**

Valves dimensions												PN10	PN16	ANSI150			
DN mm	In	A	B	C	□2	ISO 5211	K	E	n-□	&	H	□D1	n-M	□D1	n-M	□D1	n-M
		<b>FIG. 2 DN 250-350</b>															
250	10"	265	203	68	28.45	F10	125	102	4-12	30	22	350	12-M20	350	12-M20	350	12-M20
300	12"	305	242	78	31.60	F10	125	102	4-12	30	22	400	12-M20	400	12-M20	400	12-M20
350	14"	368	267	78	31.60	F10/f14	175	102/140	4-12/18	22.5	22	460	16-M20	460	16-M20	460	16-M20

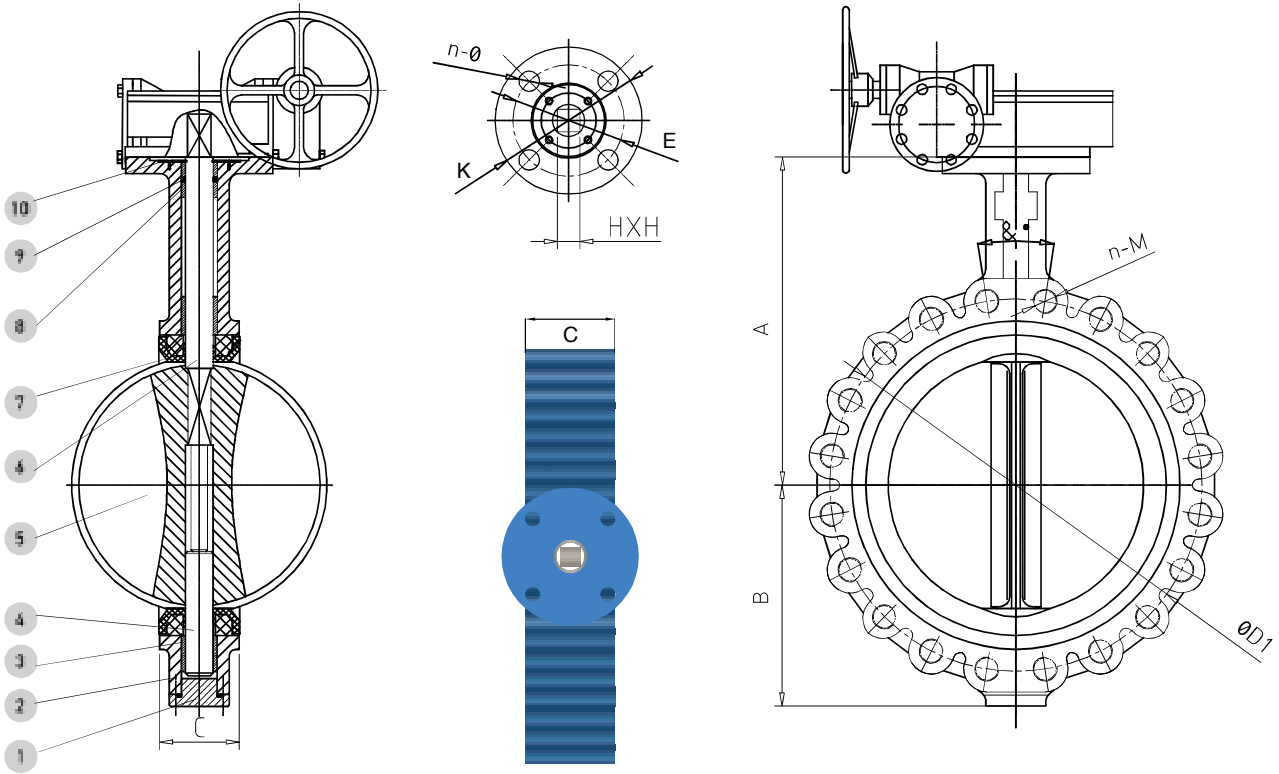
all dimensions in mm.

# BV12008L Lug

| PN10/PN16/#150



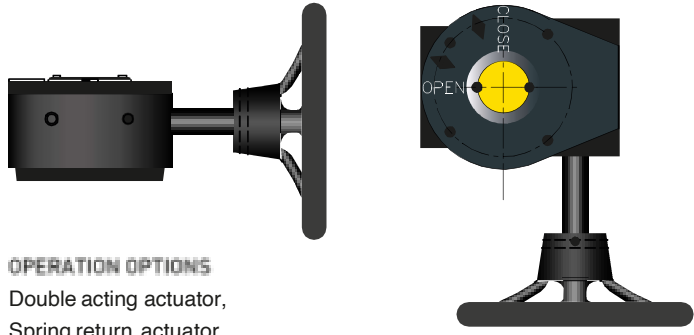
FIG. 3 DN400-600



MAIN SPARE PARTS MATERIAL

N°	COMPONENT	FIG. 2 DN400-500
1	End cover	EN1563 EN-GJS-400-15
2	Body	EN1563 EN-GJS-400-15
3	Long Bushing	Brass
4	Down shaft	SS410
5	Disc	CF8M
6	Up shaft	SS410
7	Liner (seat)	WRAS EPDM
8	Short bushing	Brass
9	O-ring	NBR / EPDM / VITON
10	Half ring	Stainless Steel

STANDAR GEAR OPERATED



OPERATION OPTIONS  
 Double acting actuator,  
 Spring return actuator

VALVE DIMENSIONS

Valves dimensions											PN10	PN16	ANSI150			
DN	A	B	C	ISO5211	K	E	n-Ø	&	HxH	ØD1	n-M	ØD1	n-M	ØD1	n-M	
mm	In															
400	16"	400	300	102	F14/F16	210	140/165	4-18/22	22.5	27x27	515	16-M24	515	16-M24	515	16-M24
450	18"	422	320	114	F14/F16	210	140/165	4-18/22	18	27x27	565	20-M24	565	20-M24	565	20-M24
500	20"	455	365	127	F14/F16	210	140/165	4-18/22	18	36x36	620	20-M24	620	20-M24	620	20-M24
600	24"	565	445	154	F16	210	165	4-22	18	36x36	725	20-M27	725	20-M27	725	20-M27

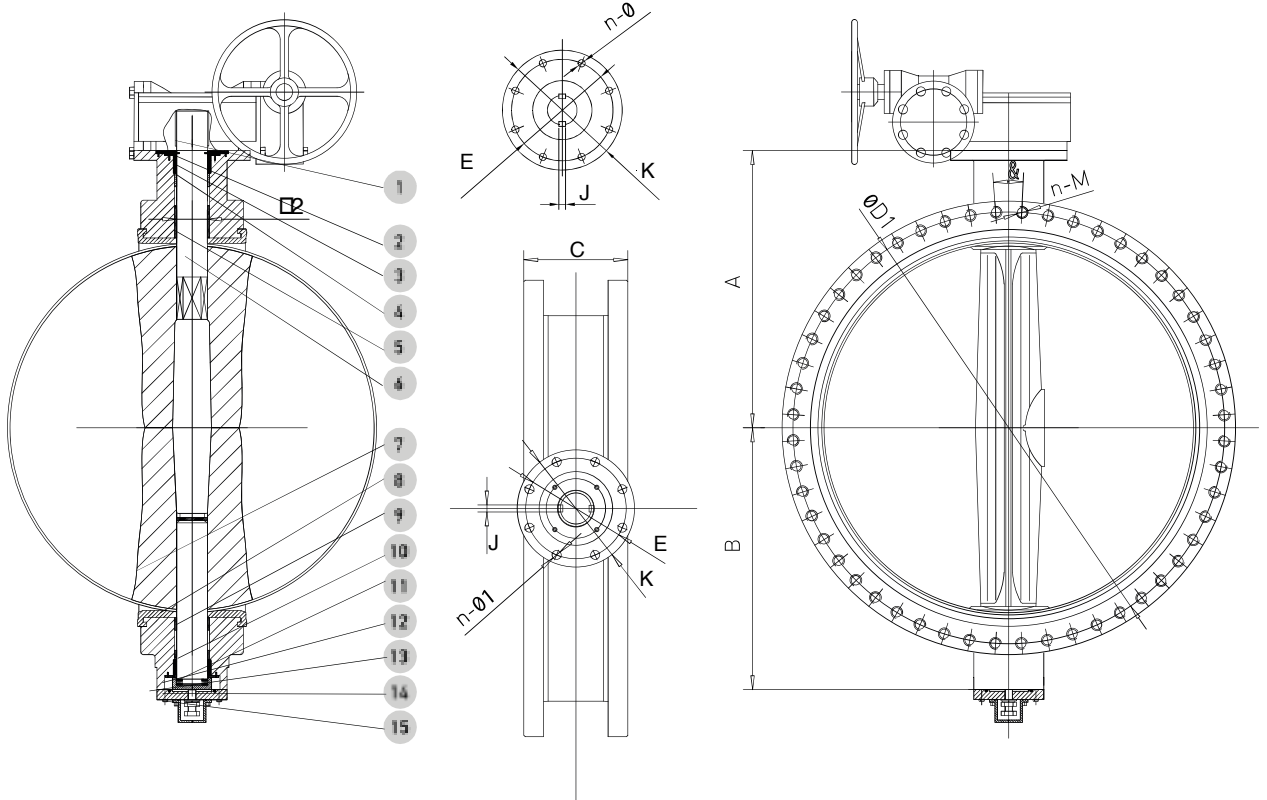
all dimensions in mm.

# BV12008L Lug

PN10/PN16/#150



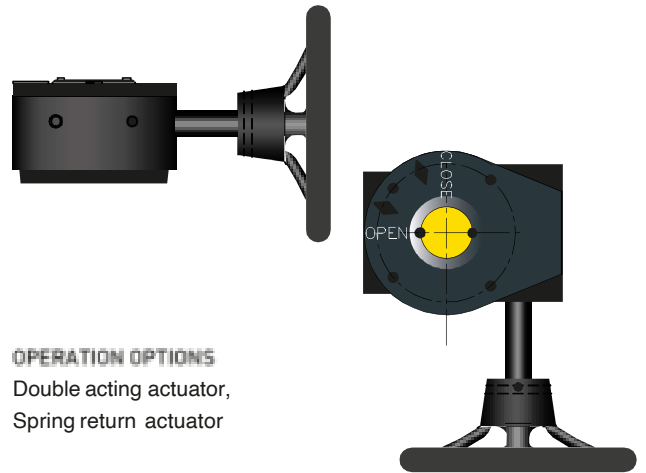
FIG. 4 DN700-1200



**MAIN SPARE PARTS MATERIAL**

N°	COMPONENT	FIG. 1 DN600
1	Head Bolt	A2
2	End Cover	DI/CI
3	"O" Ring	NBR
4	Body	DI/CI
5	Single Side Thrust Bearing	Assembly
6	Down Shaft	410/416/420/431
7	Bushing	Brass
8	LINER (SEAT)	EPDM/NBR/VITON
9	Disc	DI/CF8/CF8M/Al-Bronze
10	Up Shaft	410/416/420/431
11	Bushing	Brass
12	Gasket	FRP
13	Packing	NBR
14	Gland Packing	Carbon Steel
15	Key	45

**STANDAR GEAR OPERATED**



**OPERATION OPTIONS**

Double acting actuator,  
Spring return actuator

**VALVE DIMENSIONS**

Valves dimensions										PN10			PN16			ANSI150			
DN		A	B	C	□2	ISO 5211	K	E	n-□	J	□D1	n-M	&	□D1	n-M	&	□D1	n-M	&
mm	In																		
700	28"	624	510/520	165	63.35	F25	300	254	8-18	18	840	24-M27	15	840	24-M33	15	863.6	28-1¼-8	12.85
750	30"	650	510	190	63.35	F25	300	254	8-18	18	-	-	-	-	-	-	914.4	28-1¼-8	12.85
800	32"	672	580/591	190	63.35	F25	300	254	8-18	18	950	24-M30	15	950	24-M36	15	977.9	28-1½-8	12.85
900	36"	720	633/636	200/203	75	F25	300	254	8-18	20	1050	28-M30	12.85	1050	28-M36	12.85	1085.8	32-1½-8	11.25
1000	40"	805	710	216	85	F25	300	254	8-18	22	1160	28-M33	12.85	1170	28-M39	12.85	1200.1	36-1½-8	10
1100	42"	858	758	251	95	F25	300	254	8-18	25	-	-	-	-	-	-	1257.3	36-1½-8	10
1200	48"	955/957	845/843	276/254	105	F30	350	298	8-22	28	1380	32-M36	11.25	1390	32-M45	11.25	1422.4	44-1½-8	8.18

all dimensions in mm.







**FLUIDOINDUSTRIALE**  
ENGINEERING & INDUSTRIAL SUPPLIES

Via Bradolini, 36 31020 San Fior (TV)  
Tel 0438.400082 - 0438.409196  
Fax 0438-401544  
[www.fluidoindustriale.com](http://www.fluidoindustriale.com)  
[info@fluidoindustriale.it](mailto:info@fluidoindustriale.it)

[www.thebellowssealedvalve.es](http://www.thebellowssealedvalve.es)  
[www.bvalve.es](http://www.bvalve.es) · [export@bvalve.es](mailto:export@bvalve.es)