

HUMIDITY SEPARATORS S25/S (PN 16 and PN 40)

DESCRIPTION

The S25 series centrifugal separators remove moisture from steam and compressed air pipelines. Steam and compressed air pass through the separator and, as a result of centrifugal forces, impacts and swirling effects, the particles with a heavier specific gravity, such as water and oil droplets, moisture in suspension, dirt and scale are separated from the fluid.

The condensate collected at the bottom of the separator must be automatically drained by a suitable steam or compressed air trap.

MAIN FEATURES

Several possibilities of installation.

No moving parts.

Maintenance-free design.

OPTIONS: Condensate flanged connection.

USE: Steam, compressed air and other gases.

AVAILABLE MODELS: S25/S – carbon steel.

SIZES: DN 15 to DN 300.

CONNECTIONS: Flanged EN 1092-1 PN 16 or PN 40.
Flanged ASME B16.5 Class 150 or 300 on request.
Female threaded ISO 7 Rp or NPT on request.
Standard PN 16 DN 65 flanges are supplied with 4 holes. 8 holes, according to EN 1092, on request.

INSTALLATION: Always with the condensate discharge pointing downwards.
See IMI – Installation and maintenance instructions.

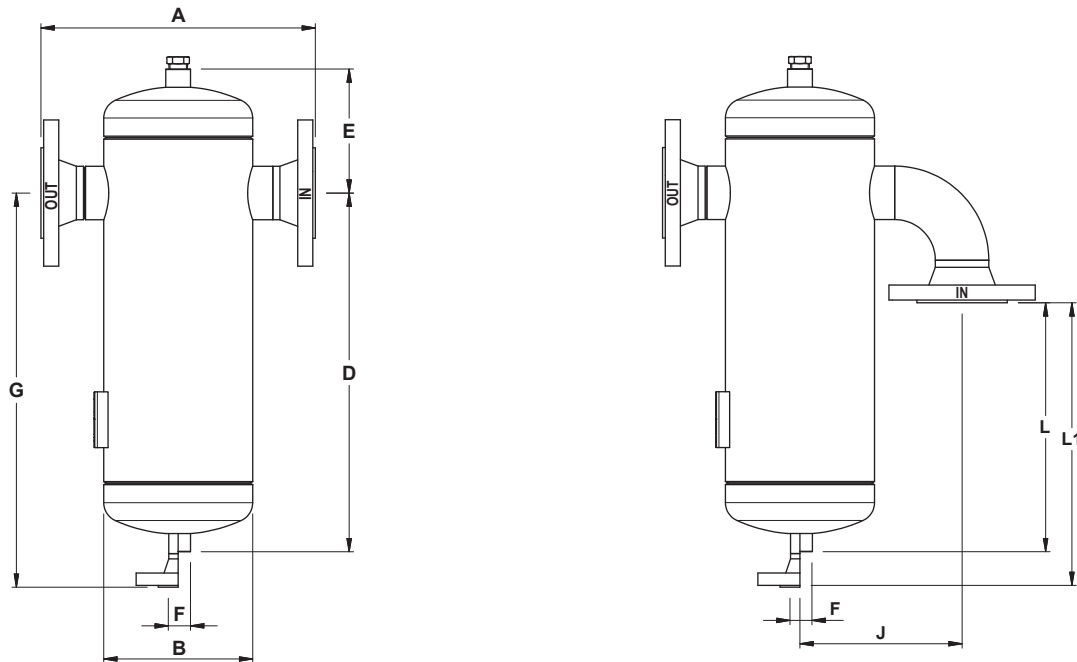


CE MARKING – GROUP 2 (PED – European Directive)			
PN 16	Category	PN 40	Category
DN 15 to 25	SEP	DN 15 to 32	1 (CE marked)
DN 32 to 50	1 (CE marked)	DN 40 to 80	2 (CE marked)
DN 65 to 125	2 (CE marked)	DN 100 to 150	3 (CE marked)
DN 150 and 200	3 (CE marked)	DN 200 to 300	4 (CE marked)
DN 250 and 300	4 (CE marked)	–	–

BODY LIMITING CONDITIONS *

FLANGED PN 16		FLANGED CLASS 150		FLANGED PN 40 / CLASS 300	
ALLOW. PRESS.	RELATED TEMP.	ALLOW. PRESS.	RELATED TEMP.	ALLOW. PRESS.	RELATED TEMP.
16 bar	50 °C	16 bar	50 °C	40 bar	50 °C
14 bar	100 °C	14 bar	100 °C	37 bar	100 °C
13 bar **	195 °C	13 bar **	195 °C	31 bar **	239 °C
12 bar	250 °C	–	–	27 bar	300 °C

* Rating according to EN 1092-1:2018. ** PMO – Maximum operating pressure for saturated steam.
Minimum operating temperature: -10 °C. Design code: AD-Merkblatt.



EVH – Elbow vertical inlet / horizontal outlet

APPROXIMATE DIMENSIONS (mm) *

SIZE	A		B	D	E	F **	G		J	L		L1		VOL. (L)	WGT. (kg)
	PN 16	CL. 150					PN 16	CL. 150		PN 16	CL. 150				
DN 15	230	250	114	205	95	1/2"	245	255	115	144	135	184	185	2	5,4
DN 20	230	255	114	205	95	1/2"	245	255	115	136	123	176	173	2,5	5,8
DN 25	230	262	114	220	120	1/2"	260	270	135	142	126	182	176	3	6,8
DN 32	260	290	140	305	130	1/2"	345	355	155	194	200	234	250	5	11,4
DN 40	260	294	140	345	130	1/2"	385	395	165	243	226	283	276	5,7	12,6
DN 50	310	341	168	405	140	1/2"	445	455	190	281	265	321	315	10,5	18,4
DN 65 ***	380	430	219	430	160	3/4"	470	483	240	275	250	315	303	18,5	29,8
DN 80	400	440	219	482	168	3/4"	522	535	260	306	286	346	339	25	33,6
DN 100	470	520	273	548	207	3/4"	588	601	330	326	302	366	355	35,4	49,7
DN 125	535	605	324	652	227	1"	688	704	403	380	346	426	408	50	76
DN 150	565	633	356	712	292	1"	758	774	457	428	394	474	456	75	104
DN 200	605	685	406	902	312	1"	948	965	545	485	446	531	508	140	168,5
DN 250	720	784	508	1165	425	1 1/2"	1210	1227	671	714	682	779	764	280	318
DN 300	860	933	610	1197	553	1 1/2"	1262	1279	800	662	626	727	708	452	463

* For certified values, consult manufacturer. Volume and weight refer to EN flanged versions. Other versions may have slightly different values.

** As standard, in separators manufactured with EN flanges, the drain connection is female threaded ISO 7 Rp. In models with ASME flanges, this connection is female threaded NPT. Alternatively, EN 1092-1 or ASME B16.5 flanged drain connection can be supplied (ASME in the same class as main connections).

*** Standard PN 16 DN 65 flanges are supplied with 4 holes. 8 holes, according to EN 1092, on request.

Remarks: The top of the separator is supplied with a threaded connection, which size does not exceed the size of the drain connection. This connection is always supplied with a threaded socket. It can be used for air venting or sensing pipe connection.

APPROXIMATE DIMENSIONS (mm) *

SIZE	A PN 40	A CL. 300	B	D	E	F **	G PN 40	G CL. 300	J	L PN 40	L CL. 300	L1 PN 40	L1 CL. 300	VOL. (L)	WGT. (kg)
DN 15	230	259	114	210	105	1/2"	250	264	115	144	130	184	182	2	6,6
DN 20	230	264	114	210	105	1/2"	250	264	115	136	119	176	173	2,5	7,4
DN 25	230	274	114	220	120	1/2"	260	274	135	142	120	182	174	3	8,5
DN 32	260	307	140	305	130	1/2"	345	360	155	194	215	234	269	5	13
DN 40	260	307	140	345	130	1/2"	385	399	165	243	220	283	274	5,7	16
DN 50	310	354	168	395	150	1/2"	435	450	190	281	259	321	313	10,5	24
DN 65	394	442	219	415	175	3/4"	455	472	240	268	244	308	301	18,5	39
DN 80	410	459	219	470	180	3/4"	510	527	260	298	277	338	334	25	44
DN 100	490	530	273	530	225	3/4"	570	587	330	313	293	353	350	35,4	75
DN 125	561	622	324	627	262	1"	668	690	403	367	337	379	401	50	114
DN 150	605	652	356	712	292	1"	754	776	457	408	385	427	449	75	131
DN 200	650	700	406	852	362	1"	898	920	545	459	436	478	500	140	264
DN 250	810	815	508	1165	425	1 1/2"	1235	1259	671	679	666	736	760	280	454
DN 300	914	964	610	1197	553	1 1/2"	1262	1286	800	625	597	695	691	452	514

* For certified values, consult manufacturer. Volume and weight refer to EN flanged versions. Other versions may have slightly different values.
 ** As standard, in separators manufactured with EN 1092-1 flanges, the drain connection is female threaded ISO 7 Rp. In models with ASME B16.5 flanges, this connection is female threaded NPT. Alternatively, EN 1092-1 or ASME B16.5 flanged drain connection can be supplied (ASME in the same class as main connections).
 *** Standard PN 16 DN 65 flanges are supplied with 4 holes. 8 holes, according to EN 1092, on request.
 Remarks: The top of the separator is supplied with a threaded connection, which size does not exceed the size of the drain connection. This connection is always supplied with a threaded socket. It can be used for air venting or sensing pipe connection.

MATERIALS

DESIGNATION	MATERIAL
Body	P235GH / 1.0325
Heads	P265GH / 1.0425
Inlet / outlet pipes	P235GH / 1.0325
EN flanges	P250GH / 1.0460
ASME flanges	ASTM A105 / 1.0432
Sockets	ASTM A105 / 1.0432
Internals	S235JR / 1.0038

FLANGE CONNECTIONS

RATING	SIZE	EN STANDARD	ASME STANDARD
PN 16	* DN 15 to 50	EN 1092-1 PN 40	ASME B16.5 Cl. 150
PN 16	DN 65 to 300	EN 1092-1 PN 16	ASME B16.5 Cl. 150
PN 40	DN 15 to 300	EN 1092-1 PN 40	ASME B16.5 Cl. 300

* Flanges EN 1092-1 PN 16 and PN 40, from DN 15 to DN 50, have the same number and size of holes.

HUMIDITY SEPARATORS

S25/S PN 63

DESCRIPTION

The S25 series centrifugal separators remove moisture from steam and compressed air pipelines. Steam and compressed air pass through the separator and, as a result of centrifugal forces, impacts and swirling effects, the particles with a heavier specific gravity, such as water and oil droplets, moisture in suspension, dirt and scale are separated from the fluid.

The condensate collected at the bottom of the separator must be automatically drained by a suitable steam or compressed air trap.

MAIN FEATURES

Several possibilities of installation.

No moving parts.

Maintenance-free design.

OPTIONS: Flanged condensate connection.

USE: Steam, compressed air and other gases.

AVAILABLE

MODELS: S25/S – carbon steel.

SIZES: DN 15 to DN 200.

CONNECTIONS: Flanged EN 1092-1 PN 63.
Flanged ASME B16.5 Class 600 on request.
Socket weld (SW) ASME 16.11.

INSTALLATION: Always with the condensate discharge pointing downwards.
See IMI – Installation and maintenance instructions.



CE MARKING – GROUP 2 (PED – European Directive)

PN 63	Category
DN 15 to 25	1 (CE marked)
DN 32 to 50	2 (CE marked)
DN 65 to 125	3 (CE marked)
DN 150 to 200	4 (CE marked)

BODY LIMITING CONDITIONS *

FLANGED PN 63 / CLASS 600

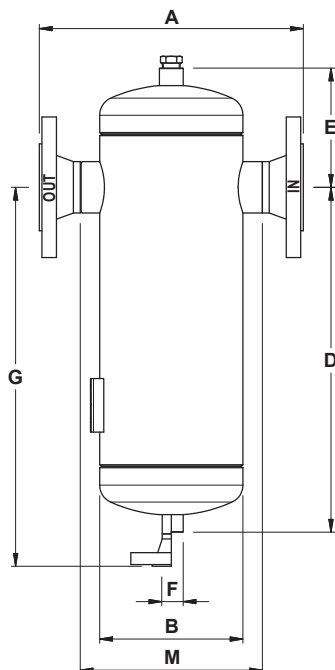
ALLOWABLE PRESSURE	RELATED TEMPERATURE
58 bar	100 °C
47 bar **	261 °C
43 bar	300 °C

* Rating according to EN 1092-1:2018.

** PMO – Max. operating pressure for saturated steam.

Minimum operating temperature: -10 °C.

Design code: AD-Merkblatt.



APPROXIMATE DIMENSIONS (mm) *

SIZE	A	B	D	E	F ***	G	VOLUME (L)	WEIGHT (kg)	M (SW)	WEIGHT (kg)
DN 15 **	245	114	230	125	1/2"	254	2	5,5	200	4,5
DN 20 **	245	114	222	133	1/2"	250	2,5	6,5	190	4,6
DN 25 **	265	114	254	136	1/2"	280	3	7,8	205	5,5
DN 32 **	295	140	330	145	1/2"	356	5	12,8	238	8,8
DN 40 **	295	140	368	147	1/2"	394	5,7	14,4	245	9,7
DN 50	340	168	415	170	1/2"	450	10,5	20,6	300	15,6
DN 65	410	219	433	197	3/4"	482	18,5	33	-	-
DN 80	430	219	485	205	3/4"	532	25	39	-	-
DN 100	500	273	533	262	3/4"	593	35,4	58,5	-	-
DN 125	590	324	627	302	1"	693	50	83	-	-
DN 150	625	356	727	317	1"	773	75	155	-	-
DN 200	680	406	842	412	1"	910	140	178	-	-

* For certified values, consult manufacturer; ** Supplied with PN 100 flanges

*** As standard, in separators manufactured with EN 1092-1 flanges, the drain connection is female threaded ISO 7 Rp. In models with ASME B16.5 flanges or SW connections, this connection is female threaded NPT. Alternatively, EN 1092-1 or ASME B16.5 flanged drain connections can be supplied (ASME in the same class as main connections).

Remarks: The top of the separator is supplied with a threaded connection which size does not exceed the size of the drain connection. This connection is always supplied with a threaded socket. It can be used for air venting or sensing pipe connection.

MATERIALS

DESIGNATION	MATERIAL
Body	P235GH / 1.0305
Heads	P265GH / 1.0425
Inlet / outlet pipes	P235GH / 1.0305
EN flanges	P250GH / 1.0460
ASME flanges	ASTM A105 / 1.0432
Sockets	ASTM A105 / 1.0432
Internals	S235JR / 1.0038

FLANGE CONNECTIONS

Rating	Size	EN Standard	ASME Standard
PN 63	DN 15 to DN 40	EN 1092-1 PN 100	ASME B16.5 Cl. 600
PN 63	DN 50 to DN 200	EN 1092-1 PN 63	ASME B16.5 Cl. 600