

BIMETALLIC STEAM TRAPS AND AIR VENTS BM20

DESCRIPTION

The BM20 series bimetallic steam traps and air vents are simple and robust traps, recommended for steam process applications where condensate sensible heat can be recovered, steam tracing lines, drip points, storage tank coils, steam air venting, etc. The use of condensate sensible heat reduces steam consumption.

MAIN FEATURES

- Modulating discharge.
- Discharges condensate below steam temperature.
- Excellent air discharge.
- Operates on superheated steam.
- Unaffected by water hammer and vibrations.
- Built-in strainer.

- OPTIONS:** Blowdown valve.
- USE:** Saturated and superheated steam.

AVAILABLE MODELS: BM20 – carbon steel.

SIZES: 1/2" to 1"; DN 15 to DN 25.

- CONNECTIONS:** Female threaded ISO 7 Rp or NPT.
Flanged EN 1092-1 PN 40.
Flanged ASME B16.5 Class 150 or 300.
Socket weld (SW) ASME 16.11.
Butt weld (BW) ASME B16.25 on request.

- INSTALLATION:** Horizontal installation recommended, can be installed in any position.
See IMI – Installation and maintenance instructions.



BODY LIMITING CONDITIONS		
FLANGED PN 40 / CLASS 300 *	FLANGED CLASS 150 **	RELATED TEMP.
ALLOWABLE PRESSURE	ALLOWABLE PRESSURE	
40 bar	19,3 bar	50 °C
35 bar	15,8 bar	150 °C
30,4 bar	12,1 bar	250 °C
27,6 bar	10,2 bar	300 °C

PMO – Max. operating pressure: 17 bar.
TMO – Max. operating temperature: 250 °C.
* Acc. to EN 1092-1:2018. ** Acc. to EN 1759-1:2004.
Body limiting conditions PN 40 or below, depending on the type of connection adopted. Rating PN 40 for threaded, SW and BW versions.

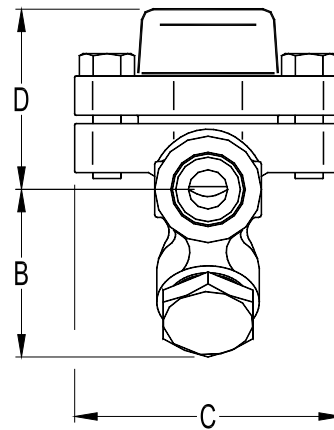
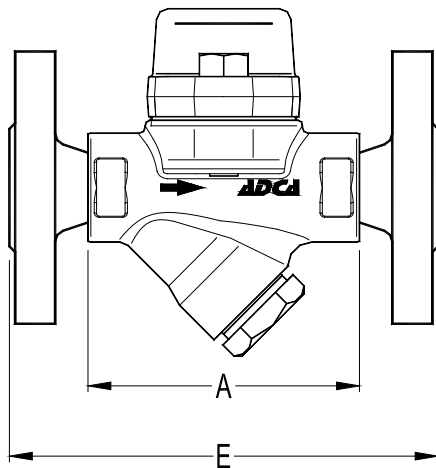
CE MARKING – GROUP 2 (PED – European Directive)

PN 40	Category
1/2" to 1" – DN 15 to 25	SEP

FLOW RATE CAPACITY (kg/h)

MODEL	SIZE	DIFFERENTIAL PRESSURE (bar)									
		0,5	1	2	4	6	8	10	12	14	17
BM20	1/2" to 1" A DN 15 to 25 A	125	200	320	410	445	485	500	540	580	600
BM20	1/2" to 1" B DN 15 to 25 B	450	700	1000	1220	1340	1450	1560	1650	1780	1850

A: Condensate discharge at 10 °C below saturation temperature; B: Cold water capacity around 20 °C.



DIMENSIONS (mm)

SIZE	THREADED / SW					PN 40		CLASS 150		CLASS 300	
	A	B	C	D	WEIGHT (kg)	E	WEIGHT (kg)	E	WEIGHT (kg)	E	WEIGHT (kg)
1/2" – DN 15	95	59	95	65	1,6	150	3,2	150	2,7	150	3,5
3/4" – DN 20	95	59	95	65	1,6	150	3,9	150	3,1	150	4,7
1" – DN 25	95	65	95	65	1,8	160	4,7	160	4,3	160	5,9

MATERIALS

POS. N°	DESIGNATION	MATERIAL
1	Body	P250GH / 1.0460
2	Cover	P250GH / 1.0460
3	* Gasket	Stainless steel / Graphite
4	* Valve assembly	Bimetallic
5	* Strainer screen	AISI 304 / 1.4301
6	* Gasket	Stainless steel / Graphite
7	* Strainer cover	A105 / 1.0432
8	Bolts	Stainless steel A2-70

* Available spare parts.

